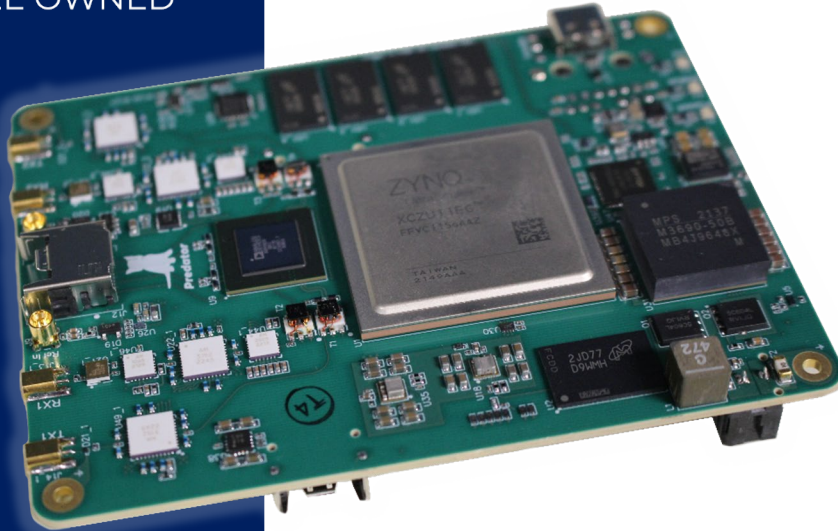


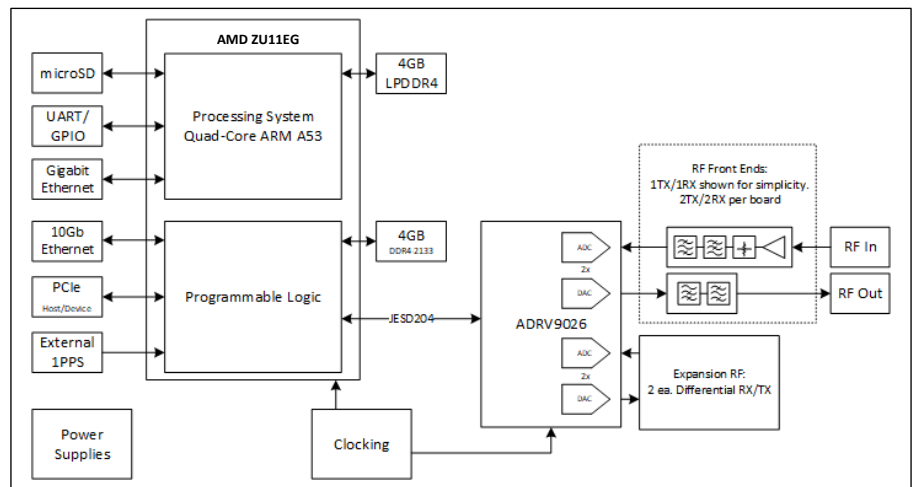
PREDATOR SDR
LOW-SWAP, HIGH-PERFORMANCE, ALL-IN-ONE RADIO



**PREDATOR
SDR**

- Leverages the latest in Analog Devices' RF technology and AMD field-programmable gate array (FPGA) processing capabilities
- The ADRV9026 paired with an XCZU11EG provide ample onboard processing capabilities while the many digital inputs/outputs (I/Os) allow offloading data for host-side processing

BLOCK DIAGRAM



SPECIFICATIONS

- FPGA XCZU11EG-1FFVC1156E
 - 4-GB RAM FPGA processor (PS)
 - 4-GB RAM FPGA programmable logic (PL)
- RF Transceiver ADRV9026
 - 75 MHz to 6 GHz RX and TX
 - 245.76-Msps maximum sample rate
 - Up to 200 MHz instantaneous bandwidth
 - Two independent tuners
 - 4 RX channels
 - 2 SMPM RX with preselect filter, gain, attenuation
 - 2 RX channels over differential cable via ARF
 - 4 TX channels
 - 2 SMPM TX with preselect filters
 - 2 TX channels over differential cable via ARF
 - JESD204c Digital Interface
- Command and control: 1 GbE RJ45
- 10 GbE
 - Cabled to external 4x SFP interface
 - Samtec ARF6-RA Slim Socket for ARC6
- PCIe Gen3x4
 - Samtec Razor Beam™ LSHM high-speed terminal/socket strip
 - Either host or endpoint configurable
- Expansion connector
 - 20-pin Pico-Clasp header
 - 8 GPIO (differential pair capable pins)
 - Dedicated I2C bus for external board control
 - SFP management controls for 10 GbE
 - Logic-level UART connection for GPS-NMEA messages
- Fractional-N reference clock
 - Configurable external reference frequency
 - Internal reference operation
 - SMPM 50 Ω connector
- 1PPS: SMPM 50 Ω connector
- FPGA JTAG, processor UART console: USB 2.0, Type-C connector
- SWaP
 - Dimensions: 106 mm x 80 mm (4.2" x 3.15")
 - Weight: 3 oz. (est)
 - Power: 70 Watts peak
- Power supply: 9–16VDC
 - 50 A core supply

PREDATOR

ADDRESS

101 N. Wilmot Rd. Ste. 101
Tucson, AZ 85711

ORDER LINE

520.519.3131
sales@rincon.com

TECH SUPPORT

520.519.3132
tech-line@rincon.com

FAX/WEB

520.519.3120
www.rincon.com