



MBRA IFXRRD

MBRA IFXRRD

MOUNTAINBRIK™ RAID AND SIGNAL ACQUISITION

- Save the entire 250 MHz input bandwidth to disk for more than 6 hours
- Record at rates of up to 500 MByte/sec in a single shot or in looped mode for indefinite recording duration
- Quickly and easily swap the six removable, solid-state disks for additional data storage
- Ascertain system health at a glance using the intuitive, web-based control interface
- Transport the system in a rugged, lightweight, Pelican case

THE MOUNTAINBRIK™ RAID AND ACQUISITION (MBRA)

LPRD is a compact, high-speed storage solution with integrated signal acquisition. The IFXRRD has dual, 500 MSPS, IF digitizers.

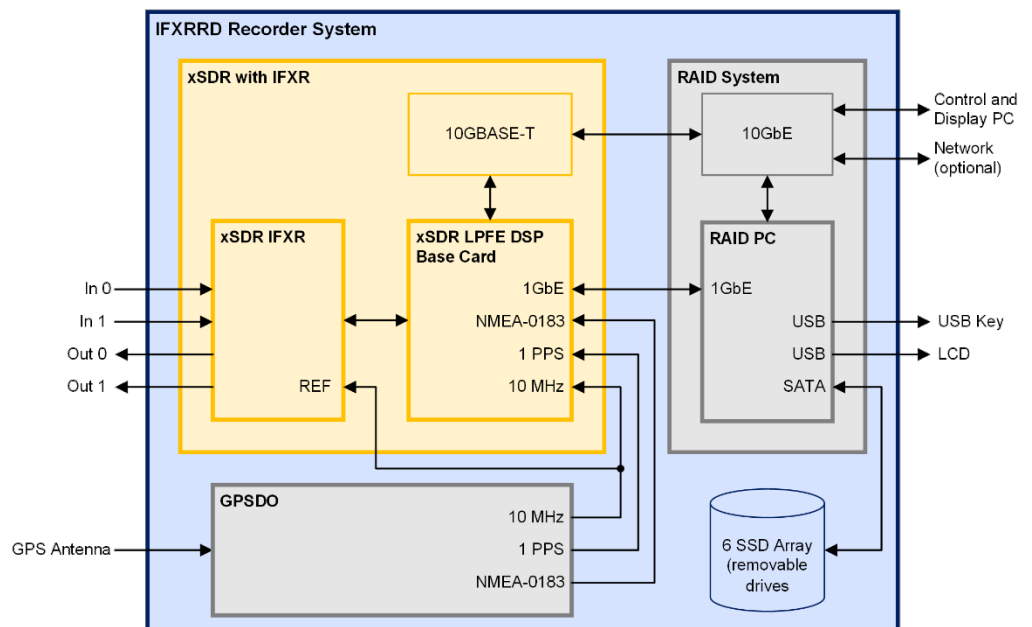
RECORDINGS CAN BE DONE IN SINGLE SHOT OR

LOOPED MODE. In looped mode, new data overwrites older data for indefinite recording duration. The six, solid-state disks are easily removable from the top of the chassis to facilitate quick drive swaps in the field for additional storage.

WITH THE RECORDED DATA PLAYBACK FEATURE, you can reproduce an analog output of recorded data streams. Recorded data is time-tagged when the system is connected to external time/frequency sources.

THE LPRD HAS TWO INDEPENDENT INPUTS THAT CAN BE USED SIMULTANEOUSLY.

It also includes two independent sub-band tuners that can be deployed on either of the input channels. The sub-band tuners support output bandwidths from 21 kHz to 42 MHz. An intuitive Java-based command and control interface supports operation using Windows, OS X, and Linux platforms.



MOUNTAINBRIK™ GUI

Simple, powerful controls for setting the tuners to either of the system ADC inputs and adjusting the bandwidth and frequency.

Start and stop recordings with ease.



Clear system health and status indicators.

Real-time spectral plots and waterfalls enable the user to quickly analyze a dynamic signal environment.

SPECIFICATIONS

GENERAL

- Processor: Core i7 Quad Core
- RAM: 16 GByte
- Disk Space: 6 TB or 12 TB with support for RAID 0, 5, or 6
- Control Panel: 4-line LCD
- Max Record Rate: 500 MByte/sec
- Data Acquisition: xSDR IFXR, developed by RRC

INPUT/OUTPUT

- Network: 1000BASE-T/10GBASE-T
- Peripherals: USB 3.0 (with security door), VGA
- Analog Inputs: Dual, common clock, up to 500 MSPS, 14-bit ADC, 1 MHz to 1 GHz bandwidth (max), 450 mVpp, -3 dBm, full-scale
- Input Filters: 220 MHz low-pass filter, runtime selectable
- Analog Outputs: Dual, common clock, up to 500 MSPS, 16-bit DAC, +10 dBm (full-scale, max)
- Time/Frequency: Integrated GPS disciplined oscillator (GPSDO), external antenna included

PHYSICAL

- Dimensions: 13.5" x 12" x 6" Pelican case
- Input Power: 11 VDC to 30 VDC (AC power adaptor included)
- Power Consumption: 60 W, typical
- Analog/RF Connectors: SMA, 50 Ω
- Ambient Operating Temperature: 0° C to 45° C
- Time-Tag Accuracy: Within 2 ns of 1 PPS from GPSDO

ADDRESS

101 N. Wilmot Rd., Ste. 101
Tucson, AZ 85711

ORDER LINE

520.519.3131
sales@rincon.com

TECH SUPPORT

520.519.3132
tech-line@rincon.com

FAX/WEB

520.519.3120
www.rincon.com

INFORMATION SUBJECT TO CHANGE WITHOUT NOTICE.
PRODUCTS ARE SUBJECT TO THE RESTRICTIONS OF THE ARMS EXPORT CONTROL ACT.
VERSION 1.0.

RINCON
RESEARCH
EMPLOYEE OWNED