



MBRA2-16T-IFXR-2U-01

MBRA2-16T-IFXR-2U-01

MOUNTAINBRIK™ RAID AND SIGNAL ACQUISITION

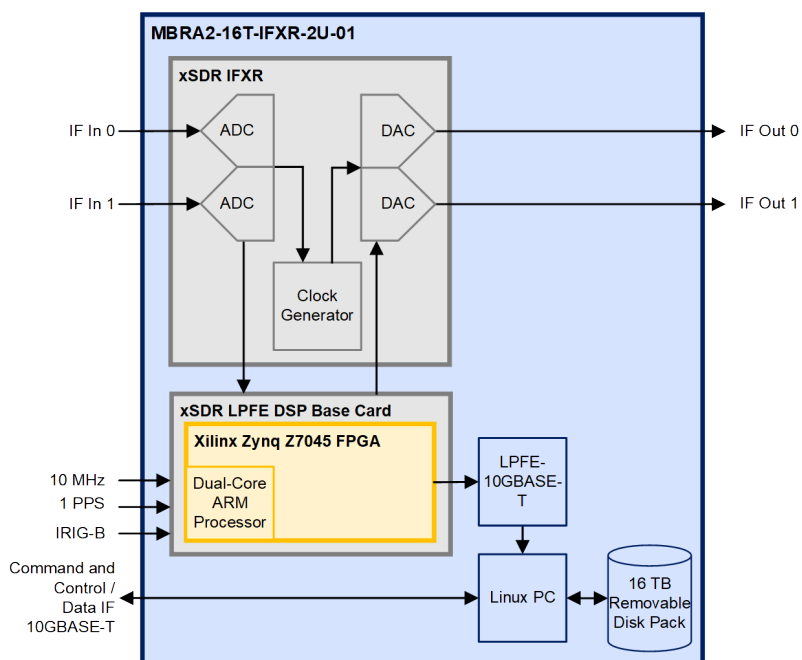
- Save the entire 250 MHz input bandwidth to disk for hours
- Record at rates of up to 500 MByte/sec in a single shot or in looped mode for indefinite recording duration
- Quickly and easily swap the six removable, 16 TB, solid-state disk pack for additional data storage
- Ascertain system health at a glance using the intuitive, web-based control interface
- 2U chassis

THE MOUNTAINBRIK™ RAID AND ACQUISITION, 2ND GENERATION (MBRA2) SYSTEM, is a portable, high-speed RAID storage solution with integrated signal acquisition.

RECORDINGS CAN BE DONE IN SINGLE SHOT OR LOOPED MODE. In looped mode, new data overwrites older data for indefinite recording duration. The removable 16 TB, solid-state disk pack facilitates easy drive swaps in the field for additional storage.

MBRA2 SYSTEMS HAVE TWO INDEPENDENT INPUTS THAT CAN BE USED SIMULTANEOUSLY. They also include two independent sub-band tuners that can be deployed on either of the input channels. The sub-band tuners support output bandwidths from 12 kHz to 250 MHz. An intuitive Java-based command and control interface supports operation using Windows, OS X, and Linux platforms.

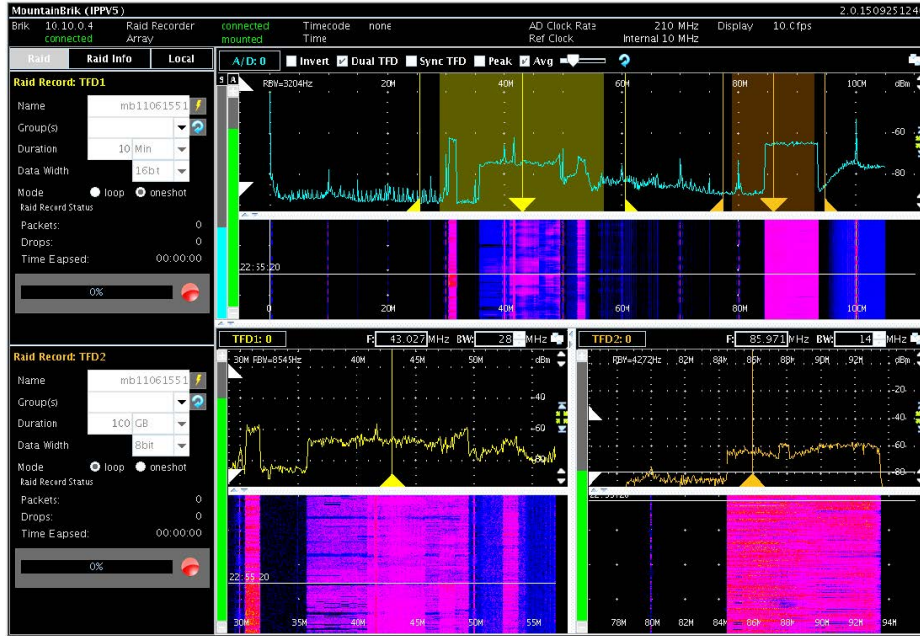
WITH THE RECORDED DATA PLAYBACK FEATURE, you can reproduce an analog output of recorded data streams. Recorded data is time-tagged when the system is connected to external time/frequency sources.



MOUNTAINBRIK™ GUI

Simple, powerful controls for setting the tuners to either of the system ADC inputs and adjusting the bandwidth and frequency.

Start and stop recordings with ease.



Clear system health and status indicators.

Real-time spectral plots and waterfalls enable the user to quickly analyze a dynamic signal environment.

SPECIFICATIONS

GENERAL

- Processor: Core i7-2600
- RAM: 32 GB
- Disk Space: Up to 16 TB with support for RAID 0, 5, or 6
- Control Panel: 4-line LCD
- Max Record Rate: 500 MByte/sec
- Data Acquisition: xSDR with IFXR, developed by RRC

INPUT/OUTPUT

- Network: 10GBASE-T command and control port
- Peripherals: USB 3.0 (with security door), eSATA, VGA
- Analog Inputs: Dual, common clock, 500 MSPS, 14-bit ADC, 1 MHz to 1000 MHz bandwidth, 450 mVpp, -3 dBm, full-scale (max)
- Input Filters: 220 MHz low-pass filter, run-time selectable
- Analog Outputs: Dual, common clock, 500 MSPS, 16-bit DAC, +10 dBm, typical, full-scale
 - 250 MHz coming soon
- External Ref.: 0.2 Vpp to 10 Vpp, -10 dBm to +24 dBm, AC-coupled, 10 MHz only
- 1 PPS: 50 Ω standard, Hi-Z ordering option
- Time: NTP or NMEA-0183 (RS-232, LEMO Connector)

PHYSICAL

- Dimensions: 2U 19" rackmount, 26" depth
- Input Power: 100/220 V, 50/60 Hz
- Power Consumption: 250 W, approximate
- Analog/RF Connectors: SMA, 50 Ω
- Multi-Unit Synchronization: With external clock connections
- Ambient Operating Temperature: 0° C to 45° C
- Time-Tag Accuracy: Within 2 ns using 1 PPS and external 10 MHz reference

ADDRESS

101 N. Wilmot Rd., Ste. 101
Tucson, AZ 85711

ORDER LINE

520.519.3131
sales@rincon.com

TECH SUPPORT

520.519.3132
tech-line@rincon.com

FAX/WEB

520.519.3120
www.rincon.com