

ROADRUNNER

ROADRUNNER

FPGA ACCELERATOR CARD WITH RRC WEB API

- PCI Express Gen 3 x8 interface
- Embedded webserver for command/control
- Two QSFP+ sockets for 40 Gbit Ethernet
- Two DDR3 8 GB SODIMMs
- Xilinx Kintex UltraScale XCKU060-1-FFVA1156 FPGA
- 1 Gbit configuration flash supports x16 BPI mode for rapid boot
- U.FL input for 10 MHz reference or trigger (1 PPS) with signal conditioning
- MAC EEPROM: 256 Kb with I2 C interface
- JTAG header
- Cooling fan control

THE ROADRUNNER is a low profile PCI Express add-in card featuring a high performance Xilinx FPGA, two Ethernet ports capable of speeds up to 40 Gbit/sec each, and an embedded webserver for command/control. It is suitable for low-cost applications where a quick development cycle is desired.

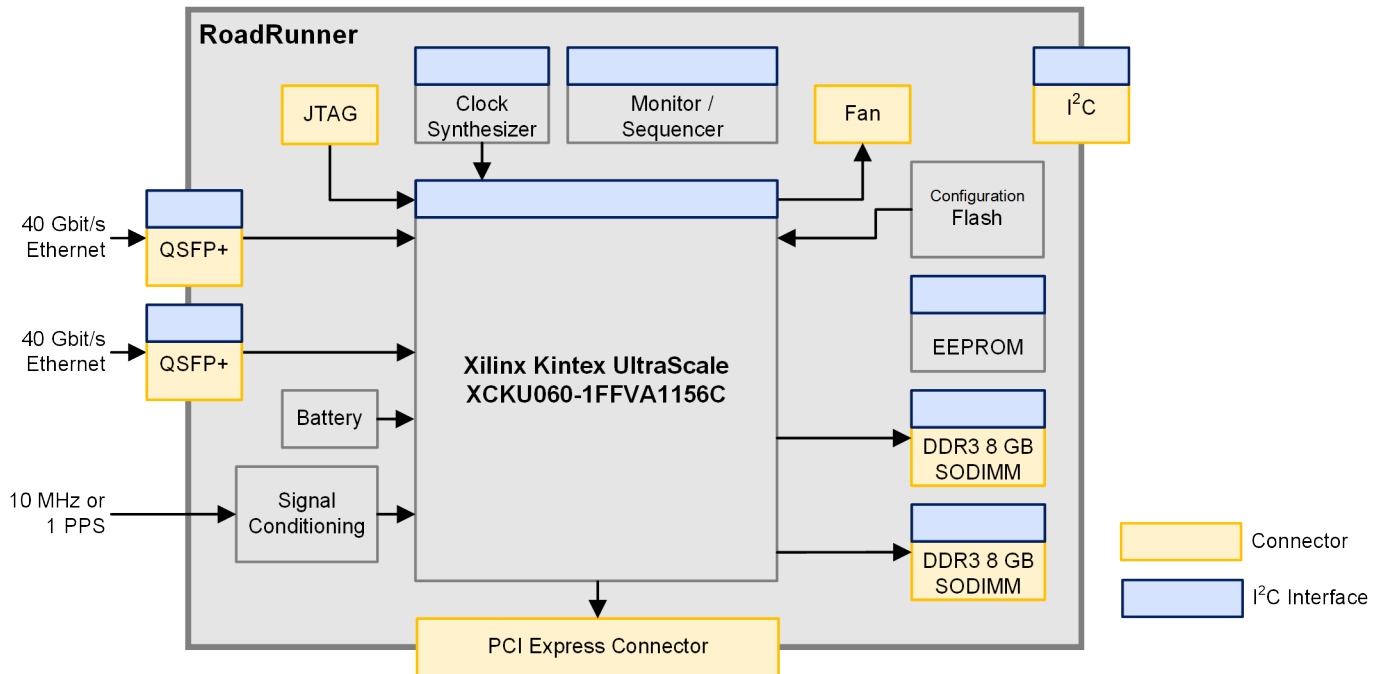
THE ROADRUNNER IS PCIE POWERED, so no additional power source is required. There is a battery for bitstream decryption keys and a switch for bitstream revision selection. The board's size conforms to the PCI low-profile, add-in card, form factor specification.

FOR QUICK AND EASY APPLICATION UPDATES, the RoadRunner is reconfigurable through PCIe. It features a programmable clock synthesizer and power monitoring fully controllable through an I²C bus.

APPLICATION DEVELOPMENT

- Full board support package for fast and easy application development that includes:
 - DMA controller
 - I²C interface controller
 - DDR3 memory controller
 - Embedded webserver for command/control
- SDAccel development
- OpenCL compatible
- Drivers and API for Linux host systems provided

BLOCK DIAGRAM



SPECIFICATIONS

PROCESSING

- FPGA: Xilinx Kintex UltraScale XCKU060-1FFVA1156C
 - 2,760 DSP slices
 - FPGA Memory: Block RAM 38 Mbit
 - Storage: 1 Gbit configuration flash supports x16 BPI mode
- Memory: Two DDR3 8 GB SODIMMs

INPUT/OUTPUT

- Ethernet: Two QSFP+ sockets for 40 Gbit Ethernet or 4 x 10 Gbit Ethernet, each
- EEPROM: 256 Kbit with I²C interface
- LEDs: Two, tricolor, programmable
- Clocks: Programmable clocks through I²C interface
- Timing Signals: U.FL input with signal conditioning for 10 MHz reference or trigger (1 PPS)
- External Ref.: 0.2 V_{pp} to 10 V_{pp}, -10 dBm to +24 dBm, AC-coupled, 10 MHz only
- 1 PPS: 50 Ω standard, Hi-Z ordering option

PHYSICAL

- Dimensions: Conforms to the PCI Low-Profile Add-in Card for factor specification
 - Dual-slot profile required for fan shroud
- Power: PCI Express
- Ambient Operating Temperature: 0° C to 40° C

DEVELOPMENT

- Controllers: DMA, I²C interface, DDR3 memory, embedded webserver for command/control
- Development Interface: Reset, JTAG

ADDRESS
101 N. Wilmot Rd., Ste. 101
Tucson, AZ 85711

ORDER LINE
520.519.3131
sales@rincon.com

TECH SUPPORT
520.519.3132
tech-line@rincon.com

FAX/WEB
520.519.3120
www.rincon.com

INFORMATION SUBJECT TO CHANGE WITHOUT NOTICE.
PRODUCTS ARE SUBJECT TO THE RESTRICTIONS OF THE ARMS EXPORT CONTROL ACT.
VERSION 1.0.

RINCON
RESEARCH
EMPLOYEE OWNED