



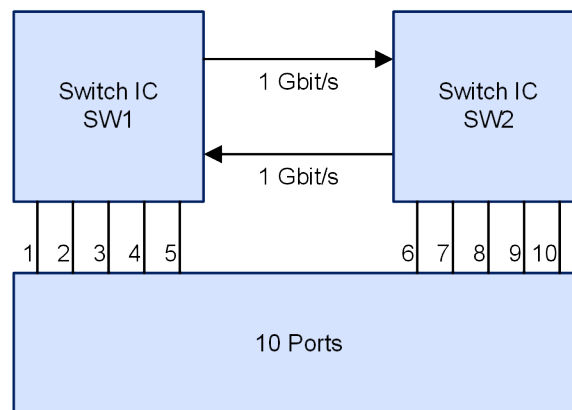
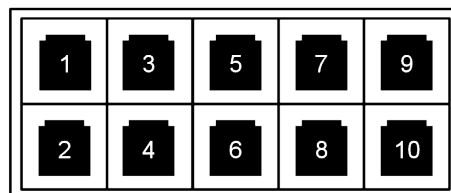
## WGS10 ETHERNET SWITCH

RUGGEDIZED, UNMANAGED, 10-PORT, WIRED 1 GIGABIT

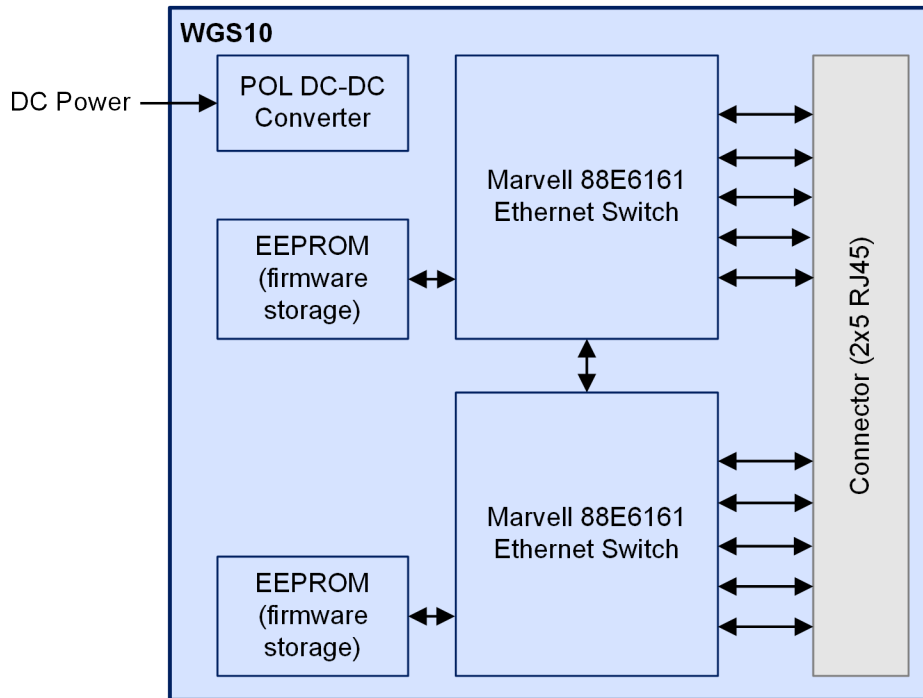
- Provides ten 10/100/1000 Mbit-capable Ethernet connections
- Full duplex capability on all ports
- Autolearn/Aging of MAC address
- Supports jumbo frames
- 1Q Quality of Service
- Forwards and filters packets at non-blocking, full-wire speed
- Auto speed negotiation on all ports
- Supports auto MDI/MDI-X crossover detection on all ports
- Application-specific firmware loads are available

**THE WGS10 ETHERNET SWITCH**, with ten 10/100/1000 ports, is built to last in a rugged environment. The WGS10 provides high-quality solid tantalum capacitors, rugged power connectors, and a small form factor. With its high-quality on-board power supplies, the WGS10 provides years of trouble-free service.

**WGS10**



# BLOCK DIAGRAM



## SPECIFICATIONS

### PORTS AND TRANSMISSION

- Standards
  - IEEE 802.3, IEEE 802.3u, IEEE 802.1Q
  - 802.3x flow control is available, but not used by default
  - VLAN configuration and multicast addresses can be assigned by manufacturer
- Network Management Type: Unmanaged, layer 2
- Speed: 10/100/1000 Mbit/s
- Ports: 10

### DETAILS

- Switch Components: Marvell 88E6161 (two)
- Mac Table: 1K entry
- VLAN Support: Up to 64 VLANs
- Buffer Memory: 128 KB
- PoE: No
- IPV6 Support: Yes
- Jumbo Frame Support: Yes
- Port Mirroring: No

### PHYSICAL

- Weight: 3.55 oz
- Power: Less than 10 W
- Input Voltage: 9.5 VDC to 14.5 VDC, 12 VDC (nom)
- Environment: 0° C to 70° C

#### ADDRESS

101 N. Wilmot Rd., Ste. 101  
Tucson, AZ 85711

#### ORDER LINE

520.519.3131  
sales@rincon.com

#### TECH SUPPORT

520.519.3132  
tech-line@rincon.com

#### FAX/WEB

520.519.3120  
www.rincon.com